



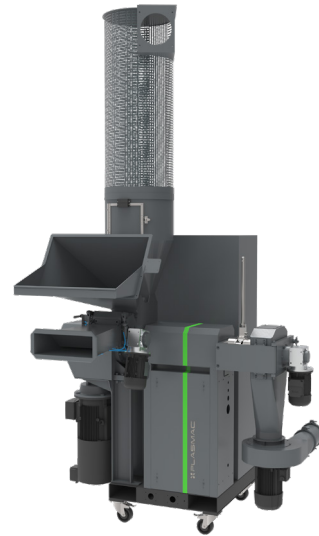
ALPHA XS

Air Cooling Recycling Extruder

The **ALPHA XS** recycling extruder uses Plasmac's unique Short Screw Technology (SST), which is based around a dual diameter 8:1 L/D ratio screw.

PRINCIPLE OF OPERATION

The waste material is directly fed on to the screw meaning no prior size reduction is required, due to this little or no dust is produced which means a higher quality pellet is produced with the lowest levels of gels possible. The S.S.T. ensures low shear, runs at low melt temperatures and therefore guarantees an absolute minimum of material degradation giving you the highest quality recycled pellet.



MAIN FEATURES

Minimal power consumption & the highest output / kW of installed power in the market

Giving you lower running cost and therefore the quickest return on investment with paybacks in as little as six months.

Low shear, minimum process dwell time and the absolute minimum of material degradation

Means you can recycle all of your scrap material into high quality pellets, reducing your material costs and improving your profitability

Direct extrusion design, no prior size reduction required

Requires no other costly equipment, reduces maintenance and increases your productivity, therefore improving your profitability.

Smallest footprint recycling machine available on the market

Minimal floor space is required freeing up valuable floor space for other applications

AIR or WATER COOLED PELLETISER

Air or water pelletisers, the materials or output being run will determine the type of pelletiser required.

TRIM BASKET

For feeding inline trims into the recycling extruder

REELFEED

Used to feed off-specification reels or scrap reels into the extruder, can be used simultaneously with the trim basket.

SUPATRIM

Used to convey tacky or extensible trims into the extruder, can be used simultaneously with the trim basket.

FLAKE FEEDER

Used to feed pre-size reduced flakes or chips into the extruder.

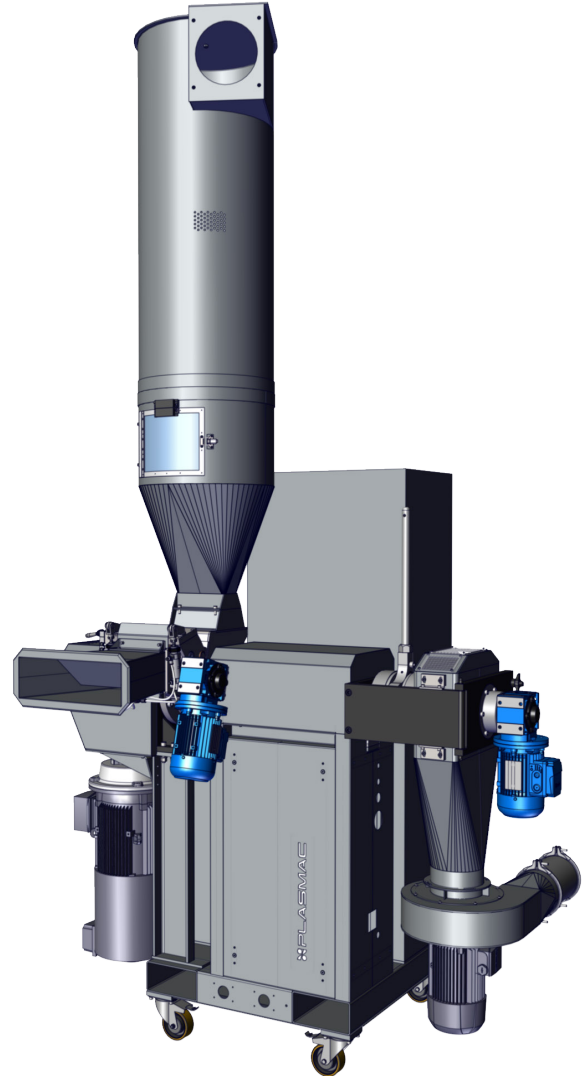
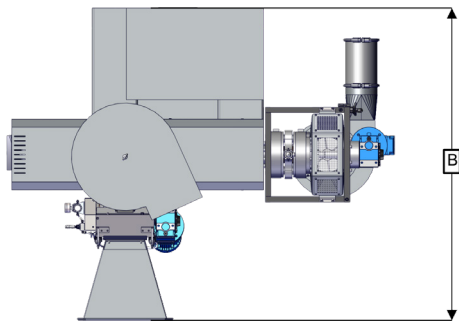
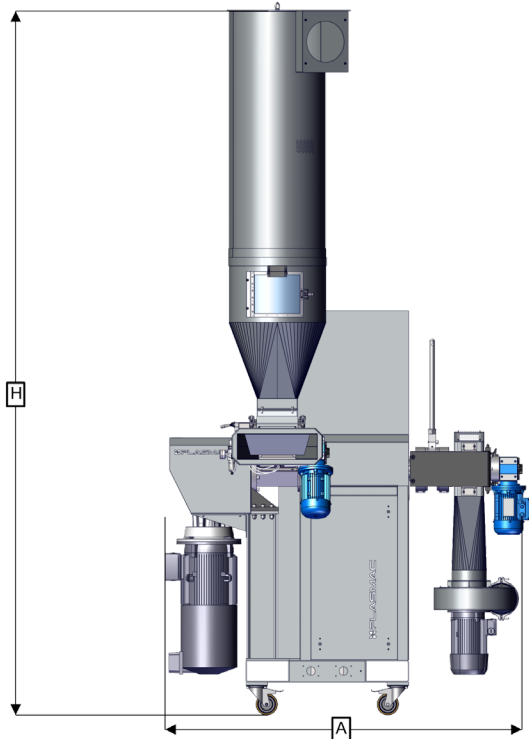
SCREEN CHANGERS

Manual or automatic systems available, used when running offline products such as reels, flake etc.

DTEC

A fibre optic pellet detection system to advise the operator if there are issues in the pelletiser

TECHNICAL DATA



Model	Output Kg/h*	Motor Kw	Floor Space m2	A (mm)	B (mm)	H (mm)	Weight Kg **
Alpha XS	45	11	1.47	1550	950	3070	750

* Depends on the type and the format of the material

** Depends on the installed accessories